

LHH LED - New generation

Modern medical examination luminaire



LUXO



LHH LED - New generation

Modern medical examination luminaire

Description

The new LHH is a natural development of our original medical examination luminaire, which is in daily use by medical professionals all over the world.

It is the highly flexible self-balancing arm in conjunction with excellent light output that has given our LHH diagnostic luminaires their vast popularity among the medical profession. The frictionless horizontal and vertical movement and the ease of use make the LHH the most flexible examination luminaire on the market – and the best in its class. The use of modern LED light sources has made it possible to reduce the size of the new lamp head, compared with the original. The reduced size provides for even better viewing conditions.

For demanding viewing conditions

LHH is designed especially for demanding viewing conditions that require exceptionally good light such as medical examination and minor procedures. It has widespread applications throughout the health sector, in hospitals, health centers and consulting rooms.

Exact positioning

LHH has a covered spring balanced arm for easy cleaning and safe and easy positioning. The flexibility and precision of the spring balanced arm means that LHH can be positioned exactly where the light is required. The light sources are positioned well inside the lamp head, in order to avoid glare. The direction of the handle indicates the direction of the beam. LHH is fully dimmable.

All-metal construction

LHH is made of powder-coated metal, such as aluminium and steel. The light source is covered with tempered glass.

Protected by SteriTouch®

LHH is painted with SteriTouch® antimicrobial powder coating, which prevents the growth of bacteria, biofilm and mould. Based on ionic silver technology, the antimicrobial performance remains continuously effective throughout the product's lifetime.

Easy replacement

The new LHH features the same arm construction and spigot as the traditional version. This means that all brackets and clamps can be reused with this new version.

Approved medical device

LHH is approved as a medical device according to IEC/EN 60601-1 Medical electrical equipment - Part 1: General requirements for basic safety and essential performance and IEC/EN 60601-1-2 Electromagnetic compatibility – requirements and tests.

Available with adjustable colour temperature

A version of LHH with adjustable colour temperature is available. This makes it possible to switch between warm white and cool white light, depending on the task at hand. The warm white setting is ideal for dermatological examinations, while the cool white setting is ideal for the recognition of blood vessels.

LED – light source of the future

Light emitting diodes are not only small and robust. LHH's LEDs are extremely energy efficient, and have an incredible life span of 50 000 hours or more. The powerful LED module has an excellent light output giving more than 24 000 lux @ 1 metre.

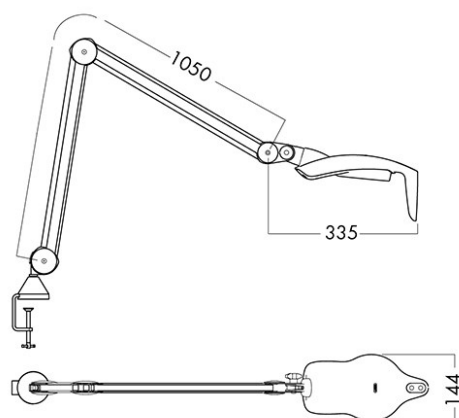
LHH LED - New generation

Modern medical examination luminaire

Technical description

Light source	<p>CRI is 95 (CRI on R9: 98)</p> <p>Standard version: Approx. 35,000lux at 1m and 120,000lux at 0.5m, 4000K. D10 is 300mm on 1m, 160mm on 50cm.</p> <p>CCT version: Approx. 25,000lux at 1m and 65,000lux at 0.5. 3500/4000/4500K. D10 is 300mm on 1m, 160mm on 50cm.</p>	Arm technology & movement	<p>Parallel, three-pivot arm for Wall (W), Table (T) or Ceiling (C). Special version for Trolley is marked "TR". Arm lengths are 105 cm.</p> <p>On/Off and dim. Watch-light: Starts at minimum light level. CCT: Step 3500/4000/4500K</p> <p>UL 60601-1, IEC/EN 60601-1, IEC/EN 60601-1-2.</p>
Body material & colour	<p>Steel arm with plastic covers. Aluminium shade. Colour: White with black details.</p>		
Mounting	<p>LHH can be mounted on ceiling, wall, table or trolley. Various table clamps, integrated table mount, wall mount, ceiling mount and trolley are available as accessories on request.</p> <p>Optimum Mounting Height Ceiling: 2.7m Wall: 1.4m - 1.6m</p>		
Power supply	<p>Delivered with cable and plug.</p>		

Measurement drawings



Energy label

LHH LED - New generation

Modern medical examination luminaire

